

DS-2CD4032FWD-(A)



Key Features

- Up to 3 megapixel (2048 x 1536) @ 20 fps resolution
- Standard video compression with high compression ratio.
- Some specialized encoding functions are supported such as ROI (Region of Interest), SVC (Scalable Video Coding), etc.
- Progressive scan CMOS
- Support three streams, main stream and third stream can up to 3MP, sub-stream for mobile surveillance
- Built-in Micro SD / SDXC card slot, up to 64GB
- Support 3D DNR
- Support WDR, up to 120dB
- Support ABF (-A model)
- Support Defocus Detection and alarm linkage
- Support smart face detection. People face can be detected and image encoding on face area can be automatically enhanced.
- Support Environmental Noise Filtering
- Support Audio Exception Detection, alarm will be triggered when the sound intensity is over the previous threshold.
- Support Smart Video Analysis functions such as Intrusion Detection, which can be configured on the local IE menu of camera.
- IR cut filter with auto switch
- Built-in microphone, Two-way audio
- Support Smart Defog
- Support EIS
- PoE (Power over Ethernet)
- Support up to 20 channels live view at the same time
- Auto-iris, electronic shutter, rotate mode for different surveillance environments
- Support local analog video output for adjustment and installation
- LOGO picture can be overlaid on video
- Other functions: IP address filtering, anonymous access, PTZ control, alarm, reset button, mirror, etc.

Specification

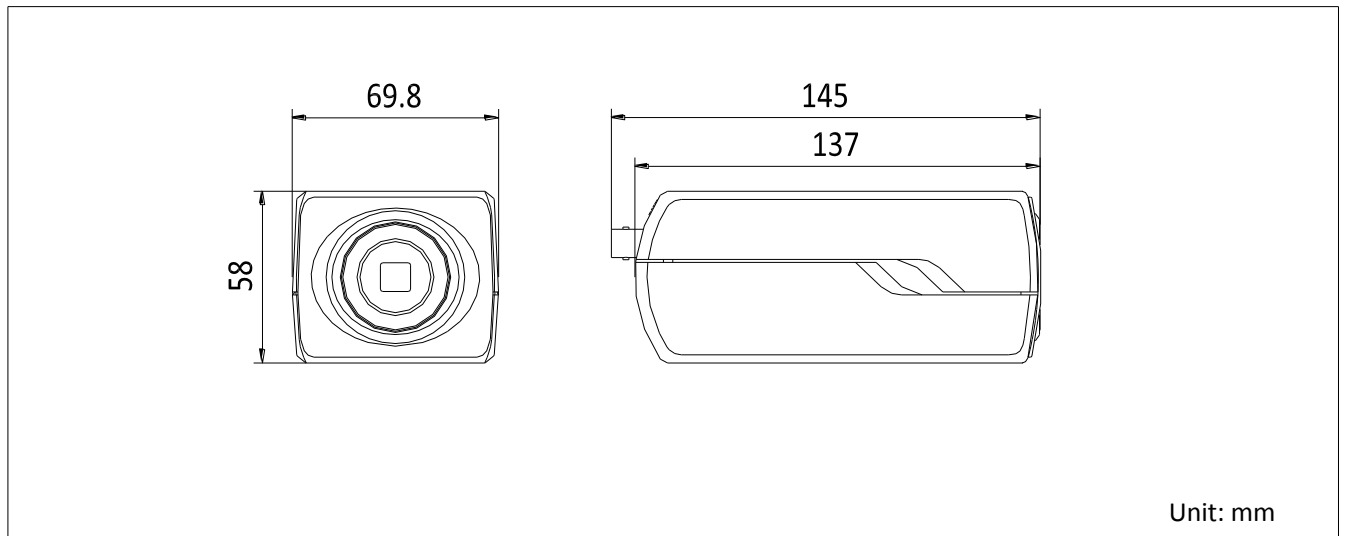
Model	DS-2CD4032FWD-(A)
Parameter	3 Megapixel CMOS WDR ICR Network Box Camera
Camera	
Image Sensor	1/3" Progressive Scan CMOS
Min. Illumination	Color: 0.1 Lux @ (F1.2, AGC ON) B/W: 0.01 Lux @ (F1.2, AGC ON)
Shutter Speed	1 s to 1/100,000 s
Slow Shutter	Support
Lens Mount	C/CS mount
Auto-iris	DC drive
Day & Night	IR cut filter with auto switch
Digital Noise Reduction	3D DNR
Wide Dynamic Range	120dB
Focus	ABF(-A model)
Compression Standard	
Video Compression	H.264/MPEG4/MJPEG
H.264 Type	Baseline Profile / Main Profile / High Profile
Video Bit Rate	32 Kbps – 16 Mbps
Audio Compression	G.711/G.726
Audio Bit Rate	64Kbps(G.711) / 16Kbps(G.726)
Image	
Max. Resolution	2048x1536
Frame Rate	50Hz: 20fps (2048 × 1536), 25fps (1920 × 1080), 25fps (1280 × 720) 60Hz: 20fps (2048 × 1536), 30fps (1920 × 1080), 30fps (1280 × 720)
Third Stream	Independent with Main Stream and Sub Stream, up to 50Hz: 20fps (2048 × 1536) 60Hz: 20fps (2048 × 1536)
BLC	Support
Smart Defog	Support
EIS	Support
Image Setting	Rotate mode, Saturation, Brightness, Contrast adjustable by client software or web browser
Day/Night Switch	Auto/Schedule/Triggered by Alarm In
ROI	Support 4 different areas configuration in all the three streams with

	adjustable 6 levels. Automatically dynamic tracking with face detection can be configured.
Picture Overlay	LOGO picture can be overlaid on video with 128x128 24bit bmp format
Network	
Network Storage	NAS
Alarm Trigger	Intrusion detection, Defocus detection, Motion detection, Face detection, Dynamic analysis, Tampering alarm, Network disconnect, IP address conflict, Storage exception
Protocols	TCP/IP,ICMP,HTTP,HTTPS,FTP,DHCP,DNS,DDNS,RTP,RTSP,RTCP, PPPoE,NTP,UPnP,SMTP,SNMP,IGMP,802.1X,QoS,IPv6,Bonjour(SIP,SRTP optional)
Security	User Authentication, Watermark, IP address filtering, Anonymous access
Standard	ONVIF, PSIA, CGI
Interface	
Audio Input	1-ch 3.5 mm audio interface, Mic in/Line in. 1 built-in Microphone
Audio Output	1-ch 3.5 mm audio interface
Communication Interface	1 RJ45 10M/100M Ethernet port, 1 RS-485 interface and 1 RS-232 interface
Alarm Input	1
Alarm Output	1
Video Output	1Vp-p composite output (75 Ω/BNC)
On-board storage	Built-in Micro SD/SDXC slot, up to 64 GB
Reset Button	Yes
General	
Operating Conditions	-30 °C – 60 °C (-22 °F – 140 °F) Humidity 95% or less (non-condensing)
Power Supply	24 V AC ± 10%, 12 V DC ± 10%, PoE (802.3af)
Power Consumption	Max. 6.5 W (Max. 9.5 W with IR cut filter on)
Dimensions	69.8×58×145 mm (2.68" × 2.56" × 5.70")
Weight	830 g (1.83 lbs)

Order Models

DS-2CD4032FWD, DS-2CD4032FWD-A

Dimensions



Accessories



Indoor wall mount
DS-1212ZJ



Indoor/Outdoor Wall Mount
DS-1213ZJ



Indoor/Outdoor camera housing
DS-1311HZ (DS-1312HZ, DS-1313HZ)



Indoor camera housing
DS-1320HZ