

DS-2DF1-575/5705/5735**Key feature****System function:**

- SONY high performance sensor, up to 1280x960 resolution
- $\pm 0.1^\circ$ Preset Accuracy
- CGI(Common Gateway Interface)、PSIA(Physical Security Interoperability Alliance), to ensure greater interoperability between different platforms and compatibility
- 3D intelligent positioning function
- Power-off memory function: restore PTZ & Lens status after reboot
- Fiber optical interface optional
- Scheduled PTZ movement

Camera function:

- Auto iris, auto focus, auto white balance, internal synchronization, backlight compensation and auto day & night switch
- Privacy Mask programmable

PTZ function:

- 360° endless pan range and -5° - 90° tilt range
- 540°/s Pan Preset Speed and 400°/s Tilt Preset Speed
- 0.1°-300°/s Manual Pan Speed and 0.1°-240°/s Manual Tilt Speed
- 256 presets programmable, preset image freezing capability
- 8 patrols, up to 32 presets per patrol
- 4 patterns, with the recording time not less than 10 min per pattern
- Park action: auto callup of PTZ movement, after a defined time of inactivity
- 2 alarm inputs and 2 alarm outputs (7 alarm inputs and 2 alarm outputs optional)

Network function:

- H.264/MJPEG video compression and the latest DaVinci processing chip and platform
- Built-in Web server
- SD/SDHC card local storage
- Dual stream
- Multiple network protocols supported: IPv4, HTTP, FTP, SMTP, SNMP, DNS, NTP, RTSP, RTP, TCP, UDP, IGMP, ICMP, DHCP, PPPoE (HTTPS optional)

- 1 audio input and 1 audio output

Application Scenarios

It can be widely applied to places requiring wide-area monitoring and high-definition display, such as rivers, forests, highways, railways, airports, ports, sentries, squares, parks, scenic sites, streets, stations, large venues, outside of residential areas, etc

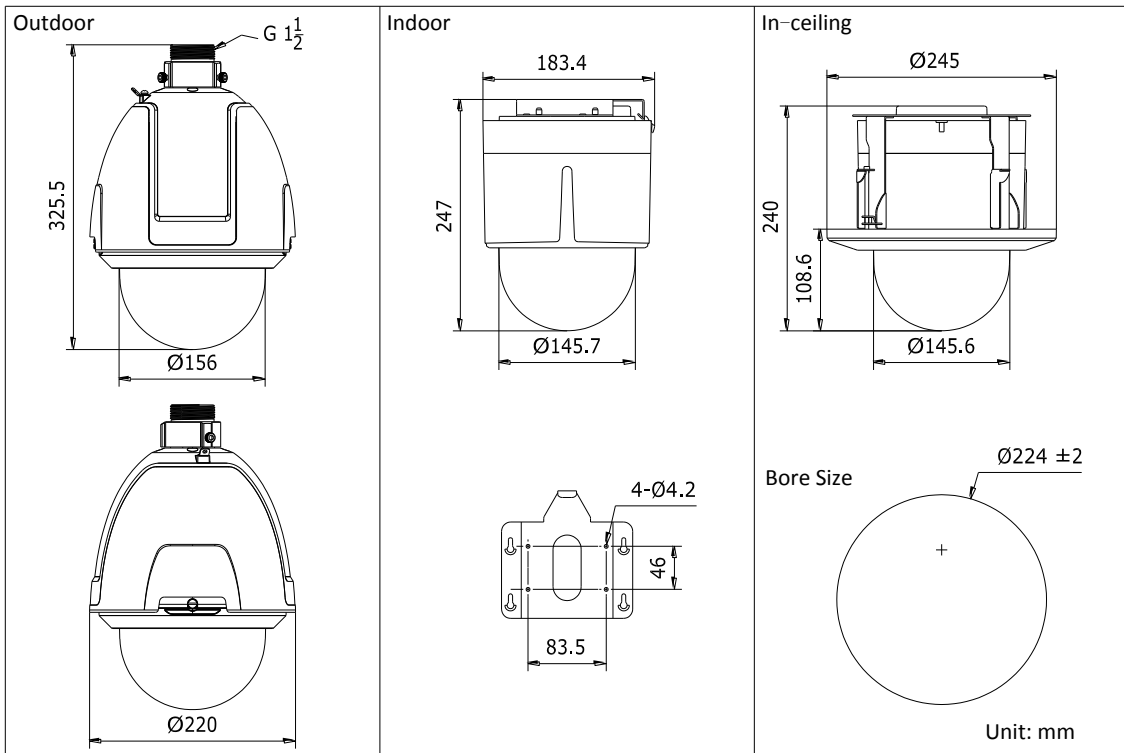
Specification

Parameter		Model
		DS-2DF1-575(Outdoor) DS-2DF1-5705(Indoor) DS-2DF1-5735(In-ceiling)
		720p 5 Inch Network Speed Dome
Camera	Image Sensor	1/4" Type Exmor CMOS Sensor
	Effective Pixel	1430K pixels
	Min.Illumination	High sensitivity: Color:0.25Lux@F1.35,B/W:0.04Lux@F1.35 Normal: Color: 1.0Lux@F1.35 ,B/W: 0.1Lux@F1.35
	White Balance	Auto / Manual / ATW / Indoor / Outdoor / Outdoor Auto /sodium lamp
	AGC	Auto / Manual
	S / N Ratio	≥ 50dB
	NR	High/Medium/Low/off
	BLC	On / Off
	WDR	128x(On / Off)
	Shutter Time	1-1/10,000s
	Day & Night	IR Cut Filter
	Digital Zoom	12x
	Pravacy Mask	24 privacy masks programmable
	Focus Model	Auto / Semiautomatic / Manual
Lens	Focal Length	3.5-98.0mm,28x
	Zoom Speed	Approx.2s(Optical Wide-Tele)
	Angle of View	55.9-2.1 degree (Wide-Tele)
	Min. Working Distance	10-1500mm(Wide-Tele)
	Aperture Range	F1.35 – F3.7
Pan and Tilt	Pan Range	360°endless
	Pan Speed	Pan Manual Speed: 0.1° -300°/s, Pan Preset Speed: 540°/s
	Tilt Range	-5°-90°(Auto Flip)
	Tilt Speed	Tilt Manual Speed: 0.1°-240°/s, Tilt Preset Speed: 400°/s

	Proportional Zoom	Rotation speed can be adjusted automatically according to zoom multiples
	Number of Preset	256
	Patrol	8 patrols, up to 32 presets per patrol
	Pattern	4 patterns, with the recording time not less than 10 min per pattern
	Power-off Memory	Support
	Park Action	Preset / Patrol / Pattern / Pan scan / Tilt scan / Random scan / Frame scan / Panorama scan
	PTZ Position Display	On / Off
	Freeze Frame	Support
Alarm	Alarm Input	2 (7 alarm inputs optional)
	Alarm Output	2 relay outputs, alarm response actions configurable
	Alarm Actions	Preset, Patrol, Pattern, SD/SDHC card recording, Relay output, Notification on Client
Input/Output	Monitor Output	1.0V[p-p] / 75Ω, NTSC (or PAL) composite, BNC
	Audio Input	Audio input (Line input), 2-2.4V[p-p]; output impedance: 1KΩ, ±10%
	Audio Output	Line level, impedance: 600Ω
Network	Ethernet	10Base-T / 100Base-TX, RJ45 connector
	Max.Image Resolution	1280×720
	Frame Rate	50Hz: 25 fps (1280×720)
	Image Compression	H.264/MJPEG
	Audio Compression	G.711 / 16kbps
	Audio Mode	Off / Audio input / Audio output
	Protocols	IPv4,HTTP,FTP,SMTP,SNMP,DNS,NTP,RTSP,RTP,TCP, UDP,IGMP, ICMP,DHCP, PPPoE(HTTPS optional)
	No. of Simultaneous Users	Up to 6 users
	Dual Streams	Support
	Mini SD Memory Card	Manual REC / Alarm REC. Built-in SD/SDHC Slot, up to 32GB
	User/Host Level	3 Levels: Administrator, Camera control, Live view only
	Security Measures	User authentication (ID and PW), Host authentication (MAC address)
Client GUI	Camera Control	Pan /Tilt, Zoom, Focus, Click centering, Drag zoom, Iris, Preset position call and program, Auto mode.
	Camera Name	Up to 18 characters
	Date & Time Display	Time: Week: Date, 6 formats on the Client
	Reading Patrol Message	Display and reading of preset message contained in each patrol via client software
Fiber Optical Interface (available)	Data Mode	10Base-T / 100Base-TX
	Physical Interface	FC(SC optional)
	Fiber Wavelength	TX1310/RX1550nm
	Fiber Type	Single Fiber/Singlemode

for fiber dome only)	Transmission Distance	20km
General	Menu Language	English
	RS-485 Protocols(optional)	HIKVISION, Pelco-P, Pelco-D, self-adaptive
	Power Supply	24VAC/3A (12VDC/3.3A optional)
	Power Consumption	Outdoor dome: Max. 40W (Heater On), Max. 20W(Heater Off) Indoor/In-ceiling dome: Max. 20W
	Working Temperature / Humidity	-30 °C-65°C (-22°F -149°F)(outdoor dome) / -10°C-50°C (14°F -122°F)(indoor dome) 90% or less
	Protection Level	IP66 standard (outdoor dome) TVS 4,000V lightning protection, surge protection and voltage transient protection
	Mounting	Various mounting modes optional
	Dimension	Φ220×325.5mm (Φ8.66"×12.81")(Outdoor) Φ183.4×247mm(Φ7.22"×9.72") (Indoor) Φ245×240mm(Φ9.65"×9.45") (In-ceiling)
	Weight (approx.)	5Kg (11.02lbs)
	Mount Option	Long-arm wall mount: DS-1614ZJ; Indoor short-arm wall mount: DS-1615ZJ Corner mount: DS-1633ZJ; Pole Mount: DS-1622ZJ; Power box mount:DS-1634ZJ

Dimension



Accessories



DS-1614ZJ Long-arm Wall Mount Bracket