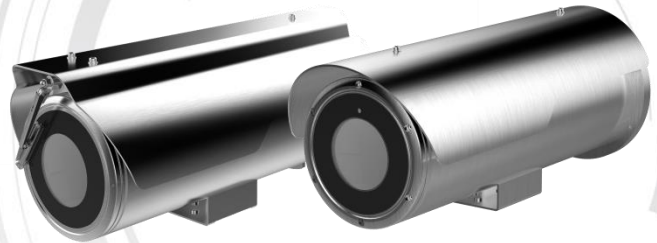


DS-2CD6626B-IZH(R)S/K(2.8 – 12 mm)/(8 – 32 mm) 2 MP Anti-Corrosion Bullet Camera



DARKFIGHTER



Vsmart IPC

- 1/1.8" Progressive Scan CMOS
- 1920 × 1080 @ 60fps
- Motorized zooming and auto focus
- H.265, H.265+, H.264, H.264+
- Ultra-low light
- 120dB WDR
- 6 behavior analyses, 3 exception detections, and face detection
- IR range: up to 150 m for 8 – 32 mm lens, up to 80 m for 2.8 – 12mm lens
- 316L stainless steel housing
- Anti-corrosion standard: C5-M, NEMA 4X
- IP67



Function Description

Smart

- 6 behavior analyses, 3 exception detections, face detection
- Smart recording: Support edge recording and dual-VCA
- Smart encoding: Support low bit rate, low latency, ROI enhance encoding
- H.265, H.265+, H.264, H.264+

Image

- 1920 × 1080 @60fps
- Support target cropping, details can be seen with low bandwidth
- Streaming smoothness setting for different requirements of image quality and fluency
- Support H.265+/H.265/H.264+/H.264/MJPEG video compression, multi-level video quality configuration; support Baseline Profile/Main Profile/High Profile H.264 encoding complexity, and Main Profile for H.265 video complexity
- Multiple OSD color: Black & white self-adaptive; Custom
- 120dB WDR is supportable for backlight environment
- Support defog, HLC, BLC, EIS, lens distortion correction

System

- Support ONVIF (profile S/profile G), ISAPI protocol
- Support three video streams, and support 20 channels live view at the same time
- Lightning protection, surge protection, voltage transient protection, anti-static protection

Interface

- Support standard 128G microSD/SDHC/SDXC card storage
- Support RJ45 10M/100M/1000M self-adaptive Ethernet port
- Support Audio I/O
- Support Alarm I/O
- Support CVBS analog output (4CIF resolution)

Security

- Support three-level user authentication management, user and password authorization, and IP address filtering
- Support security certificate as HTTPS
- Lock user IP after certain times failed login attempts

Specifications

Camera	
Image Sensor	1/1.8" Progressive Scan CMOS
Min. Illumination	0.002 Lux @ (F1.2, AGC ON), 0 Lux with IR
Shutter Speed	1 s – 1/100,000 s
Slow Shutter	Support
Lens	2.8 – 12 mm, F1.4: horizontal field of view, 90.1° to 31° 8 – 32 mm, F1.4: horizontal field of view, 42.2° to 13.5° Motorized zooming and auto focus
Auto-iris	DC drive
Day & Night	IR Cut Filter
Digital Noise Reduction	3D DNR
WDR	120dB
Compression Standard	
Video Compression	Main stream: H.265/H.264 Sub stream: H.265/H.264/MJPEG Third stream: H.265/H.264
H.264 Type	Baseline profile/main profile/high profile
H.264+	Support
H.265 Type	Main profile
H.265+	Support
Video Bit Rate	32 Kbps – 16 Mbps
Audio Compression	G.711/G.722.1/G.726/MP2L2/PCM
Audio Bit Rate	64Kbps(G.711)/16Kbps(G.722.1)/16Kbps(G.726)/32-192Kbps(MP2L2)
Image	
Max. Resolution	1920 × 1080
Main Stream Max. Frame Rate	50Hz: 50fps (1920 × 1080, 1280 × 960, 1280 × 720) 60Hz: 60fps (1920 × 1080, 1280 × 960, 1280 × 720)
Sub Stream Max. Frame Rate	50Hz: 25fps (704 × 576, 640 × 480, 352 × 288, 320 × 240) 60Hz: 30fps (704 × 480, 640 × 480, 352 × 240, 320 × 240)
Third Stream Max. Frame Rate	50Hz: 25fps (1920 × 1080, 1280 × 960, 1280 × 720, 704 × 576, 640 × 480, 352 × 288, 320 × 240) 60Hz: 30fps (1920 × 1080, 1280 × 960, 1280 × 720, 704 × 480, 640 × 480, 352 × 240, 320 × 240)
Image Enhancement	BLC/HLC/3D DNR/Defog/EIS
Image Setting	Rotate mode, saturation, brightness, contrast, etc., adjustable by client software or web browser
Region of Interest	Support 4 customized region for each stream, and face dynamic tracking
Target Cropping	Support
Day/Night Switch	Auto/Schedule/Triggered by Alarm In
Picture Overlay	LOGO picture can be overlaid on video with 128 × 128 24bit bmp format
Network	
Network Storage	Support microSD/SDHC/SDXC card (128G), local storage and NAS (NFS,SMB/CIFS), ANR
Alarm Trigger	Motion detection, tampering alarm, network disconnected, IP address conflict, illegal login, HDD full, HDD error
Protocols	TCP/IP, ICMP, HTTP, HTTPS, FTP, DHCP, DNS, DDNS, RTP, RTSP, RTCP, PPPoE, NTP, UPnP, SMTP, SNMP, IGMP, 802.1X, QoS, IPv6, UDP, Bonjour
General Function	One-key reset, anti-flicker, three streams, heartbeat, password protection, privacy mask, watermark, IP address filter

Standard	ONVIF (PROFILE S, PROFILE G), ISAPI
Interface	
Communication Interface	1 RJ45 10M/100M/1000M self-adaptive Ethernet port
Audio	1 input, 1 output
Alarm	1 input, 1 output
Video Output	1Vp-p composite output (75 Ω/BNC)
On-board storage	Built-in microSD/SDHC/SDXC slot, up to 128 G
Reset Button	Yes
Housing Interface	2 anti-corrosion inlets protected by a metal hose
Audio	
Environment Noise Filtering	Support
Audio I/O	Support
Audio Sampling Rate	16kHz/32kHz/44.1kHz/48kHz
Smart Feature-set	
Behavior Analysis	Line crossing detection, Intrusion detection, Region entrance, Region exiting, Unattended baggage, Object removal
Line Crossing Detection	Cross a pre-defined virtual line
Intrusion Detection	Enter and loiter in a pre-defined virtual region
Region Entrance	Enter a pre-defined virtual region from the outside place
Region Exit	Exit from a pre-defined virtual region
Unattended Baggage	Objects left over in the pre-defined region such as the baggage, purse, dangerous materials
Object Removal	Objects removed from the pre-defined region, such as the exhibits on display.
Exception Detections	Scene change detection, defocus detection, audio exception detection
Face detection	Human face appears in the image can be detected and trigger linkage method
General	
Operating Conditions	-40 °C to + 65 °C (-40 °F to +149 °F), Humidity 95% or less (non-condensing)
Power Supply	AC24V, 1.7A, terminal block
Power Consumption	Max. 40 W
Material	316L stainless steel
Anti-Corrosion Standard	C5-M, NEMA 4X
Ingress Protection	IP67
IR Range	2.8 – 12 mm lens: up to 80 m 8 – 32 mm lens: up to 150 m
Smart Heater	Support
Wiper	With –R model support
Dimensions	With – R model camera: 472 × 180 × 203 mm (18.6" × 7.1" × 8") Without – R model camera: 472 × 180 × 190 mm (18.6" × 7.1" × 7.5") Package: 614 × 278 × 343 mm (24.2" × 10.9" × 13.5")
Weight	With – R model camera: 10.95 kg (24.14 lb.) Without – R model camera: 9.75 kg (21.5 lb.)

Available Models

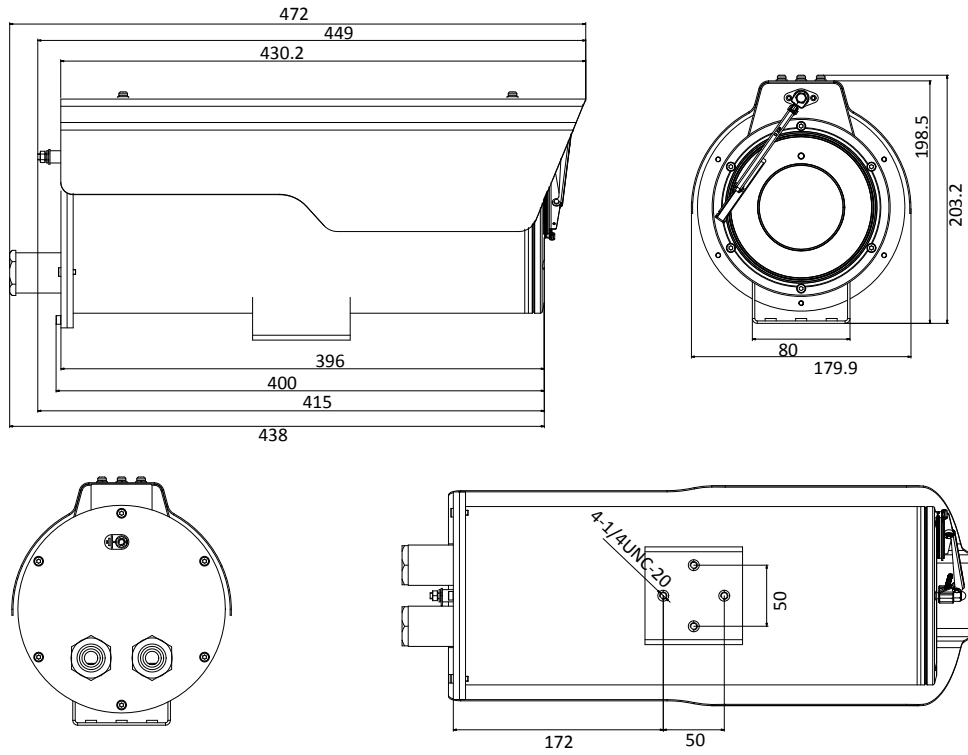
DS-2CD6626B-IZHRS/K (2.8 – 12 mm), DS-2CD6626B-IZHRS/K (8 – 32 mm)

DS-2CD6626B-IZHS/K (2.8 – 12 mm), DS-2CD6626B-IZHS/K (8 – 32 mm)

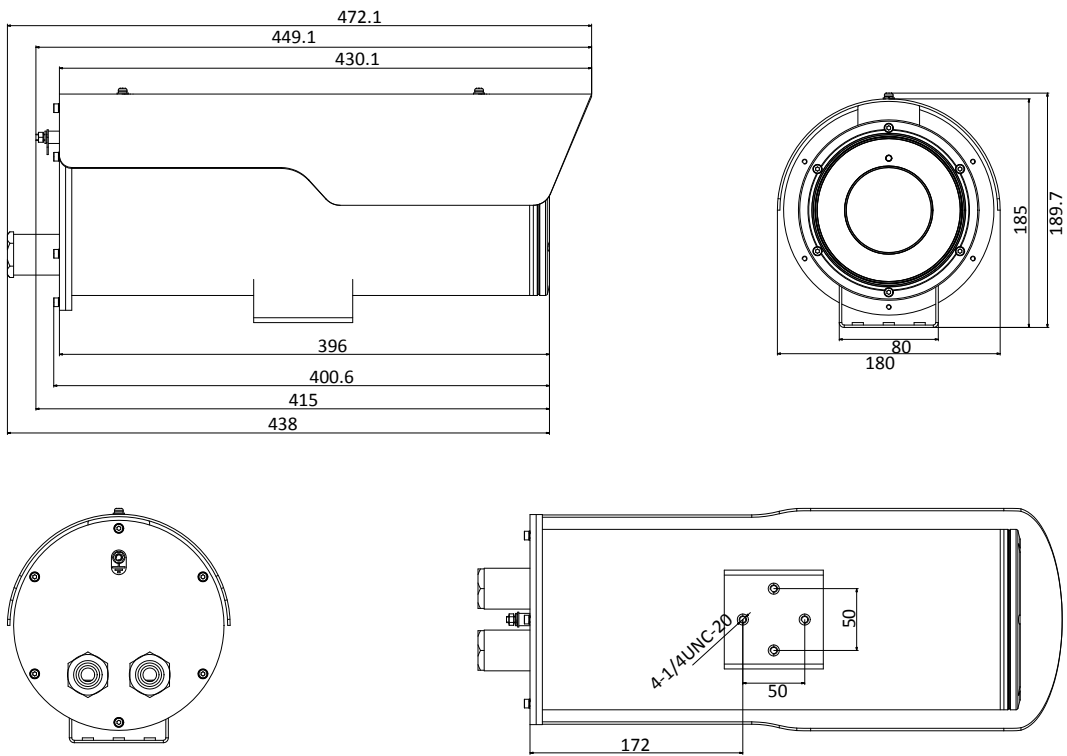
*Model with “-R” supports wiper.

Dimensions

Model with Wiper



Model with NO Wiper



Unit: mm

Accessories



DS-1284ZJ-M
Junction Box



DS-1701ZJ
Wall Mount Bracket

Distributed by



HIKVISION®

Headquarters

No.555 Qianmo Road, Binjiang District,
Hangzhou 310051, China
T +86-571-8807-5998
overseasbusiness@hikvision.com

Hikvision USA
T +1-909-895-0400
sales.usa@hikvision.com

Hikvision Italy
T +39-0438-6902
info.it@hikvision.com

Hikvision Singapore
T +65-6684-4718
sg@hikvision.com

Hikvision Africa
T +27 (10) 0351172
sale.africa@hikvision.com

Hikvision Europe
T +31-23-55-42-770
info.eu@hikvision.com

Hikvision France
T +33(0)1-85-330-450
info.fr@hikvision.com

Hikvision Oceania
T +61-2-8599-4233
salesau@hikvision.com

Hikvision Hong Kong
T +852-2151-1761

Hikvision Middle East
T +971-4-8816086
salesme@hikvision.com

Hikvision Spain
T +34-91-737-16-55
info.es@hikvision.com

Hikvision Canada
T +1-909-895-0400
sales.usa@hikvision.com

Hikvision Russia
T +7-495-669-67-99
saleru@hikvision.com

Hikvision Poland
T +48-22-460-01-50
poland@hikvision.com

Hikvision Korea
T +82-31-731-8841
sales.korea@hikvision.com

Hikvision India
T +91-22-28469900
sales@pramahikvision.com

Hikvision UK
T +01628-902140
support.uk@hikvision.com

Hikvision Brazil
T +55 11 3318-0050
Latam.support@hikvision.com