

## DS-D5C75RD/B 75-inch Interactive Flat Panel

*Hangzhou Hikvision Digital Technology Co. Ltd.*



The Hikvision Interactive Flat Panel is a kind of newly developed intelligent teaching assistance product which integrates with the latest technologies of touch control, HD display, video processing, network communication, interactive control, sound control. It can be widely applied to the classroom, online teaching, training center, etc.

- UHD 4K display with resolution of 3840 × 2160.
- Anti-glare and anti-blocking design to ensure smooth interaction.
- Dual systems of Android and Windows (Optional) saving cost and easy to use, video conference software are recommended to run under Windows system.
- Quick response, at most 45-points touch control and smooth writing experience.
- Built-in network switch chip saves a network switch.
- All-in-one design with tempered glass and intelligent temperature control, making it environmental-friendly and safety-guaranteed, support blue light protection.

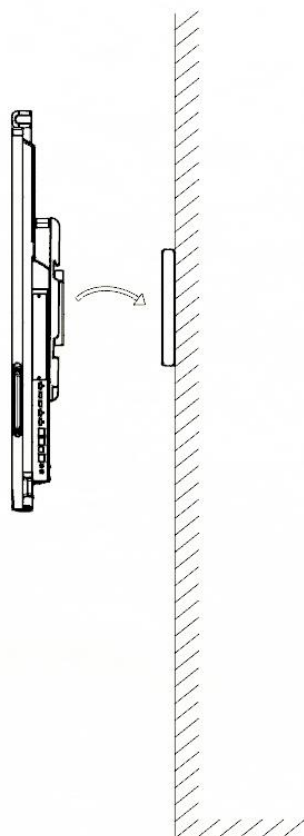
## Specification

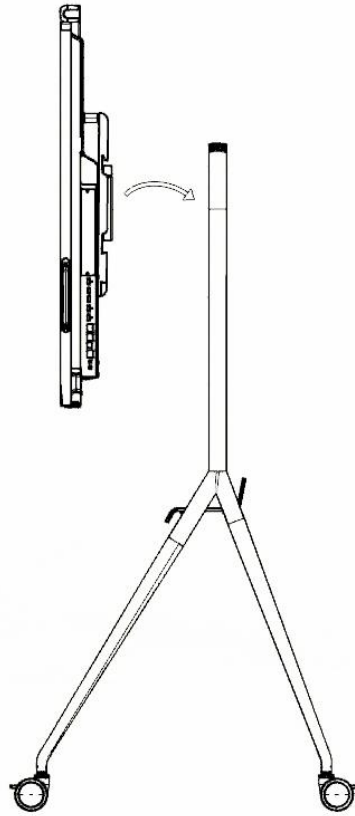
Product Model	
Product Model	DS-D5C75RD/B
Panel	
Glass Thickness	3.2 mm
Glass Bonding Method	Zero Lamination
Display	
Screen Size	75 inch
Backlight	DLED
Pixel Pitch	0.14325(H) × 0.42975(V) mm
Resolution	3840 × 2160 @60 Hz
Brightness	400 cd/m <sup>2</sup> (Typ.)
Color Depth	10 bit
Contrast Ratio	5000 : 1
Response Time	6 ms
Color Gamut	72% NTSC
Refresh Rate	60 Hz
Viewing Angle	178°(H)/178°(V)
Surface Haze	25%Haze
Display Area	1650.24mm x 928.26mm
Working Duration	7*16H
Optical	
Aspect Ratio	16 : 9
Touch	
Type	Infrared Touch Screen
Touch Point	45 point multi-touch
Touch Response Time	< 6 ms
Touch Precision	± 1 mm (≥ 90% touching area)
Built-in System	
Operation System	Android 13.0
Processor	Quad-core Cortex-A76 × 4 (2.4 GHz) and quad-core Cortex-A55 × 4 (1.8 GHz)
Memory	16 GB
Built-in Storage	128 GB
Panel Type	VA
HDCP Version	2.3
Touch Resolution	32768 x 32768
Processing Performance	
Display Color	1.07G
Camera	
Pixel	Pixel 48MP for Photos & 8 MP for Video
Camera Function	Support intelligent switching between Android system, OPS, and PC.
Field Angle	120°(diagonal), 110°(horizontal), 75°(vertical)
Distortion	≤2.5%
Camera Resolution Ratio	Up to 4K

<b>Microphone</b>	
Specification	Omni-directional 8-array layout
Mic Function	Echo reduction and smart noise-cancellation
Voice Distance	12 m
Sampling Rate	32 K
Mic Sampling Rate	16 bit
<b>Internal Function</b>	
Loudspeaker	Built-in 2 ×15 W+25 W loudspeaker;
Bluetooth	Built-in BLE (Bluetooth Low Energy) module supports Bluetooth 5.1
Image Processing Technology	Support 3D digital noise reduction, face detection, automatic white balance, automatic purple edge removal, automatic defogging; support shadow correction and distortion correction for lens.
Audio Processing Technology	Support dereverberation, adaptive noise reduction, adaptive non-stationary noise reduction, adaptive echo cancellation, automatic gain control, automatic electrical level control, sound source localization, speech dynamic detection, digital beam forming, speech detection.
<b>Interface</b>	
Video & Audio Input	HDMI In 2.0 × 4, VGA In × 1, DP In 1.2 × 1, Audio In × 1
Video & audio output	HDMI Out 2.0 × 1, Audio Out × 1, SPDIF Out × 1
Control interface	TOUCH-USB 3.0 × 3, RS232 × 1
Network Interface	LAN (1000 Mbps) × 2 WIFI AP&Station, 2.4 G/5 G, WIFI 6 IEEE 802.11 a/b/g/n/ac/ax 2 × 2 MIMO (2.4 GHz and 5 GHz) authentication protocols WEP, WPA, WPA2, PSK and 802.1X EAP
Data Transmission Interface	USB 3.0 × 4, USB 2.0 × 1, Type-C × 2 (Type-C supports USB 2.0, DP 1.2, and charging functions; side charging 15 W, front charging 65 W), Micro-SD card x 1
<b>Features</b>	
Input Source	Set the input source of the device. System, HDMI, USB, USB Type-C, etc.
Functions	<p>Built-in Wi-Fi realizes multi-screen sharing and screen mirroring without any cable connection. Built-in network switch module saves a network switch.</p> <p>Screenshot, and capture area, generate QR code from the screenshot, and devices in the same LAN can scan the QR code to download the screenshot</p> <p>Built-in interactive whiteboard system allows writing (brush type, color, thickness, etc) erasing (partial, area, gesture – hand wiping) drawing (insert shapes, rulers, table, flow charts, etc) , annotating and sharing by QR code.</p> <p>Looping-out display available.</p> <p>Support up to 4 terminals projection simultaneously via window splicing.</p> <p>Annotating anywhere on the current page, save and share notes by QR code.</p> <p>Built-in Android system provides kinds of applications.</p> <p>Built-in Browser</p> <p>Blue light filtering to provide good performance of both visual protection and display effect</p> <p>Multiple devices can be managed by a central software platform</p>
<b>Power</b>	
Standby Consumption	≤ 0.5 W
Average Consumption	< 170W

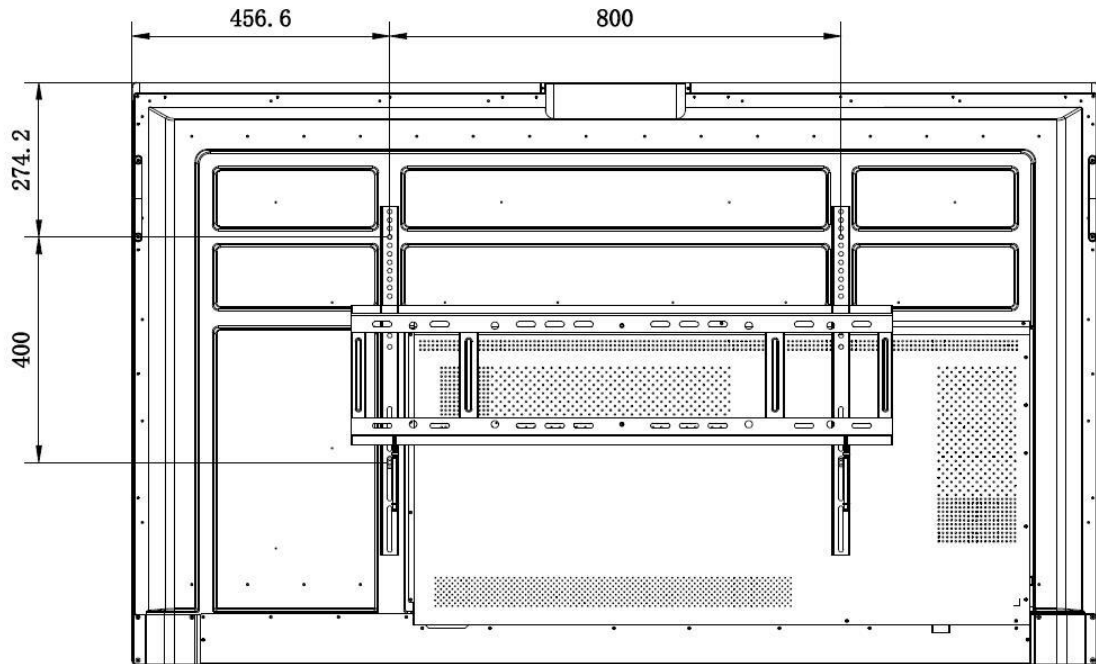
General	
VESA	800 mm × 400 mm (4 × M8-25 mm)
Power Supply	100 to 240 VAC, 50/60 Hz
Product dimensions	1713.2 mm × 1034.5 mm × 82.5 mm
Accessory	Wall mount bracket, hook, user manual, touch writing pen, packing list, 3M touch USB cable, 3M HDMI cable (2.0), 1.5m power cable (European standard), Bluetooth remote control.
Package Dimensions (W × H × D)	1937 mm × 264 mm × 1222 mm
Net Weight	51.23 kg
Gross Weight	67.62 kg
NFC	Support screen mirroring by Android phones.
Stylus	2 Stylus, each with 2 heads, thick and thin writing, automatic writing thickness adjustment.
Working Environment	
Working Temperature	0 °C to 40 °C (32 °F to 104°F)
Working Humidity	10%~90% RH

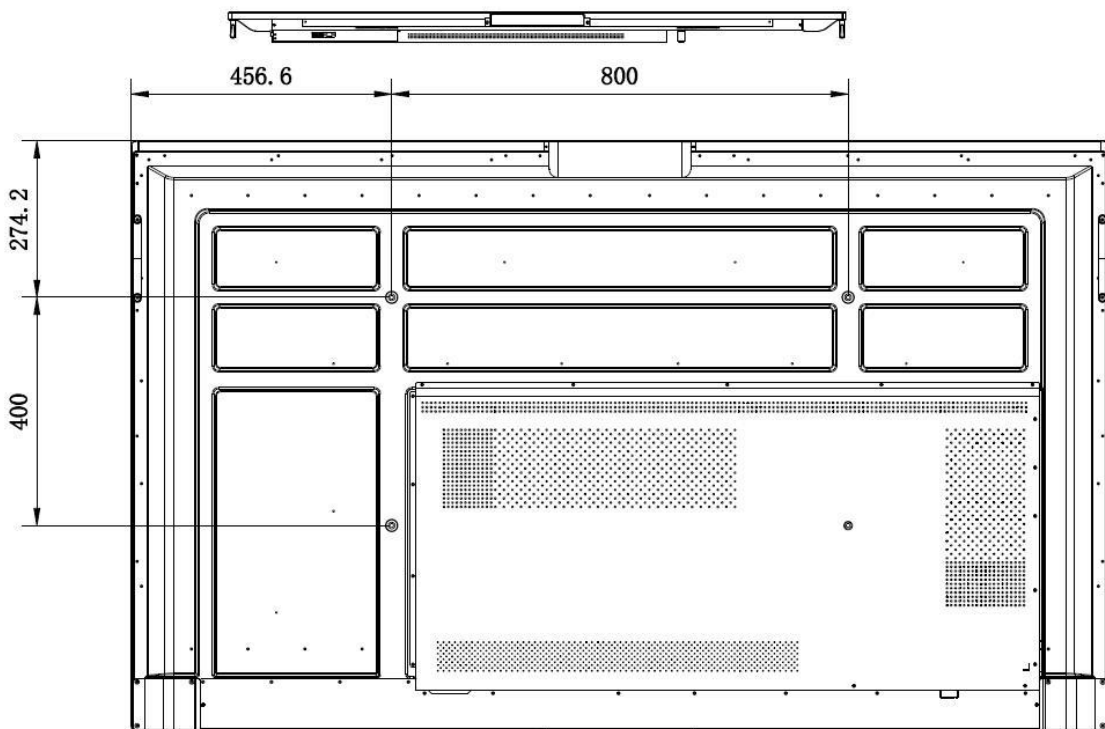
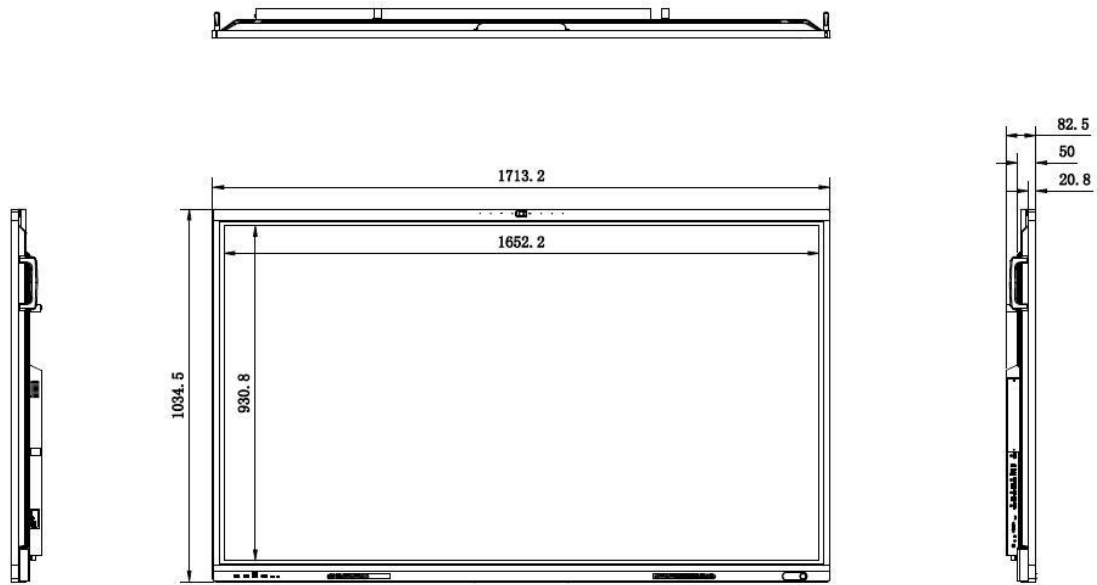
## Installation





**Dimension**





**Headquarters**

No.555 Qianmo Road, Binjiang District,  
Hangzhou 310051, China  
T +86-571-8807-5998  
www.hikvision.com



Follow us on social media to get the latest product and solution information.



