

DS-2XM6726G1-IM/ND/CM

Passenger Counting Camera



- High quality imaging with 2MP resolution
- Clear imaging against strong back light due to 120 dB WDR technology
- Water and dust resistant (IP67) and vandal resistant (IK10)
- Built-in deep-learning algorithm of passenger counting

▪ Specification

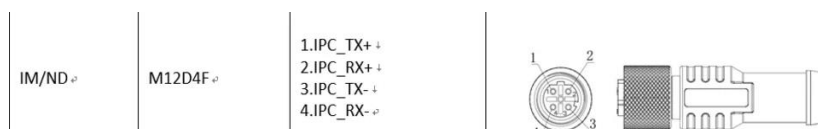
Camera	
Protection Level	IP67, IK10
Min. Illumination	0.002 Lux @ (F1.6, AGC ON)
Resolution	1920×1080
Shutter Speed	1/3 s to 1/100,000 s
P/N	PAL: 25fps NTSC: 30fps
Wide Dynamic Range	120 dB
Day & Night	IR Cut Filter
Angle Adjustment	Pan:-30° to +30°, Tilt: 0° to 75°, Rotate: 0° to 360°
Sensor Type	1/2.8" CMOS Progressive Scan
White Balance	Support fluorescent lamp/incandescent lamp/warm lamp/nature light, and support auto/manual
Lens	
Focal Length	2mm/2.8mm/4mm/6mm and other focal length is optional
Focal Length & FOV	2 mm, horizontal FOV 132°, vertical FOV 77°, diagonal FOV 152° 2.8 mm, horizontal FOV 105°, vertical FOV 56°, diagonal FOV 126° 4 mm, horizontal FOV 87°, vertical FOV 44°, diagonal FOV 104° 6 mm, horizontal FOV 53°, vertical FOV 28°, diagonal FOV 62°
Lens Mount	M12
Max. Aperture	2mm: F2.2
Illuminator	
Supplement Light Type	Infrared fill light lamp
IR Wavelength	850 nm
IR Range	Up to 5 m
Video	
Main Stream	50Hz:25fps (1920x1080, 1280 x 960, 1280x720) 60Hz:30fps (1920x1080, 1280 x 960, 1280x720)
Sub-Stream	50Hz:25fps (704x576, 640x480, 352x288, 320x240) 60Hz:30fps (704x576, 640x480, 352x288, 320x240)
Video Compression	Main stream: H.264, H.265 Sub-stream: H.264, H.265, mjpeg
Video Bit Rate	Main stream: 256Kbps-12Mbps Sub-stream: 256Kbps-4Mbps
H.264 Type	BaseLine Profile/Main Profile/High Profile
H.265 Type	Main Profile
Bit Rate Control	Constant Bit Rate, Variable Bit Rate
Region Of Interest (ROI)	Support 1 fixed region for each stream (Main Stream, Sub Stream)
Audio	
Audio Compression	G711U, G711A, G726_A, AAC, G722.1, PCM
Audio Bit Rate	Raw data PCM:256kbps G711U, G711A, G726_A, AAC,G722.1:≤64kbps
Audio Sampling Rate	16kHz

Network	
Protocols	TCP/IP, HTTP, HTTPS, DHCP, DNS, DDNS , RTSP, SNMP, QOS, FTP, NTP, UPNP, SMTP, ICMP, IPV6, UDP, SSL/TLS, ITxPT(Customized)
Simultaneous Live View	Up to 8 channels
API	ONVIF (PROFILE S/G/T), ISAPI, SDK
User Management	Up to 16 users,3 levels: Administrator, Operator and User
Web Browser	IE8+,Chrome57+,Edge16+,Firefox52+
Image	
Image Settings	Brightness, contrast, saturation and sharpness can be adjusted by browser and client software.
Day/Night Switch	Day/Night/Auto/Schedule
Image Enhancement	BLC, HLC, 2DNR ,3DNR
Backlight Compensation(BLC)	Support up, down, left, right, center and custom BLC adjustment
Interface	
Audio	1 built-in mic
Reset Key	Yes
Interface Type	Interpolate
RS485	Customized
RS232	Customized
TF Card Storage	Built-in Micro TF Slot, up to 256 GB(not for baseline. Note the Micro-TF card capacity when ordering)
Event	
Basic Event	Video tampering alarm, Exception (illegal login, HDD full, HDD error)
Smart Event	People counting
Linkage	Notify monitoring center
General	
Product Dimension	Camera: Φ 110 mm \times 57.4 mm (4.3" \times 2.26")
Power	PoE: 0.30 A to 0.20 A, max: 7.5W
Camera Material	Metal
Screw Material	SUS
Package Dimension	252 mm \times 160 mm \times 95 mm (9.9" \times 6.3" \times 3.7")
Product Weight	Approx. 452 g (1lb.)
Startup and Operating Conditions	-30 °C to 75°C (-22 °F to 167°F), humidity less than 95% or less (non-condensing)
Language	English, French, German, Russian, Italy, Korean, Portugal, Spanish, Turkish, Poland, Czech
General Function	Anti-flicker, heartbeat, mirror
Power Supply	PoE (802.3af, 36 V to 57 V)
Power Interface	-IM/ND: four-core M12 aviation plug, PoE power supply RJ45 is customized
Cable Length	50 cm
Selection Parameter	
POE Support	PoE (802.3af)

Approval	
EMC	FCC ; CE: CE-EMC(EN 55024:2010 +A1:2015,EN 55032:2015,EN 61000-3-2:2014,EN 61000-3-3:2013)
Safety	CB: IEC 60950-1 CE: CE-LVD(EN 60950-1:2006+A11:2009+A1:2010+A12:2011+A2:2013)
Automotive and Railway	EN50155-2017(EN 50155:2017, EN 50121-3-2:2016, IEC 60068-2-1:2007, IEC 60068-2-2:2007, IEC 60068-2-30:2005, IEC 61373:2010); EN45545 (EN 45545-2:2013+A1:2015); E-MARK (ECE R10)
Environment	CE: CE-RoHS(RoHS Directive 2011/65/EU+2015/863)
Electrical Safety Protection	IP67(IEC 60529-2013);IK10(IEC 62262:2002)

▪ **Wiring**

Cable Interfaces



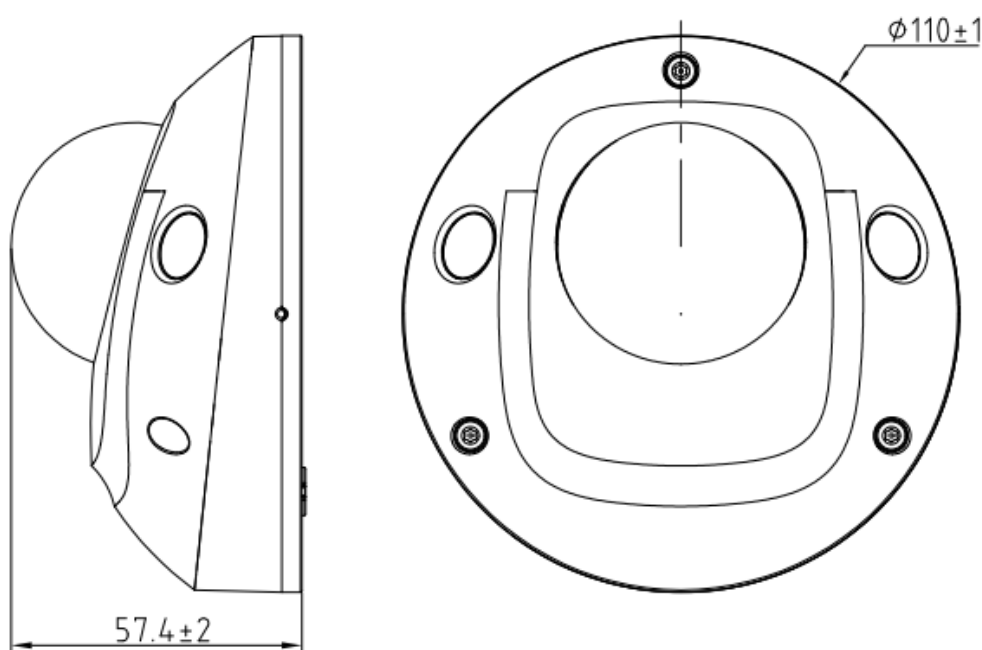
▪ **Available Model**

DS-2XM6726G1-IM/ND/C(2mm)

DS-2XM6726G0-I/C(2mm)(AE)(SG_WILLOWGLEN)

DS-2XM6726G1-I/ND/C(2mm)

▪ **Dimension**



Headquarters

No.555 Qianmo Road, Binjiang District,
Hangzhou 310051, China
T +86-571-8807-5998
www.hikvision.com



Follow us on social media to get the latest product and solution information.

