

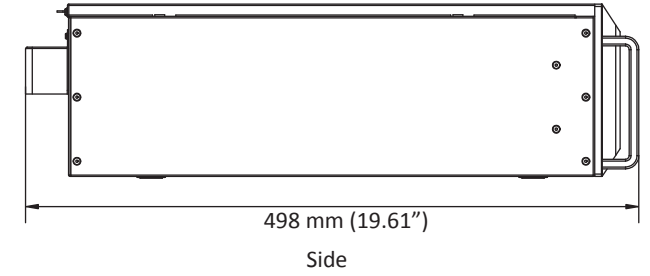
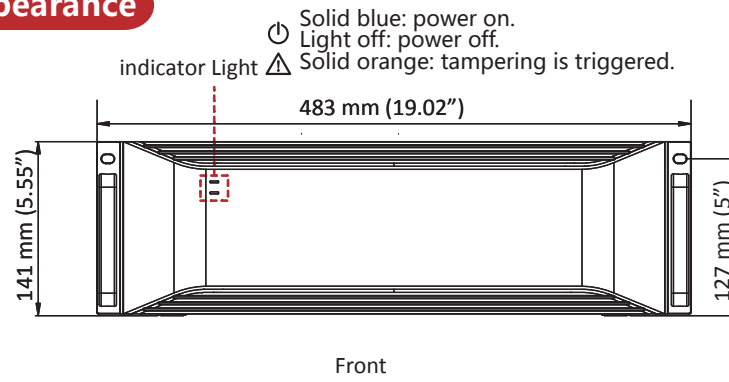


## Positioning Vibration Fiber Sensing Processor

### Quick Start Guide

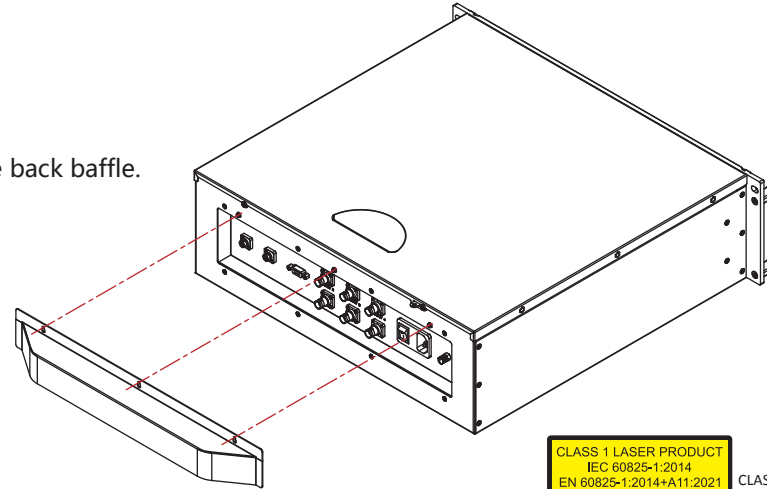
UD37362B

# 1 Appearance



# 2 Wiring

Remove the back baffle.



### Safety Instruction

- In the use of the product, you must be in strict compliance with the electrical safety regulations of the nation and region.
- The device shall not be exposed to dripping or splashing and that no objects filled with liquids, such as vases, shall be placed on the device.
- Caution: To reduce the risk of fire, replace only with same type and rating of fuse.
- The device must be connected to an earthed mains socket-outlet.
- If the device has been designed or, when required, modified for connection to an IT power distribution system, the device installation instructions shall so state.
- No naked flame sources, such as lighted candles, should be placed on the device.
- This device is suitable for use in server room or cabinet only.
- Never place the device in an unstable location. The device may fall, causing serious personal injury or death.
- Do not touch the sharp edges or corners.
- If the device is intended to be moved or used in a certain direction, keep the required direction when moving or using the device.

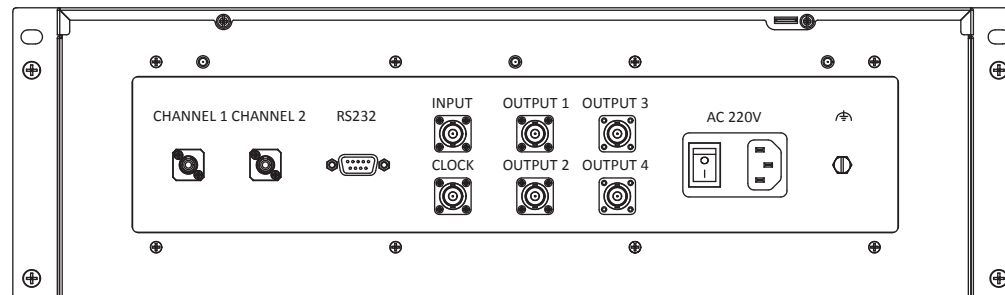
CLASS 1 LASER PRODUCT  
 IEC 60825-1:2014  
 EN 60825-1:2014+A11:2021

CLASS 1 LASER PRODUCT

The product meets the requirements of Class 1 laser products. Class 1 Laser products that are safe during use, including long-term direct intrabeam viewing, even when exposure occurs while using telescopic optics.

Interfaces:

⚠ Do not plug and unplug optical fiber cables with electricity. Please operate after powering off.



### About this Document

This Document includes instructions for using and managing the Product. Pictures, charts, images and all other information hereinafter are for description and explanation only.

The information contained in the Document is subject to change, without notice, due to firmware updates or other reasons. Please find the latest version of the Document at the Hikvision website (<https://www.hikvision.com>). Unless otherwise agreed, Hangzhou Hikvision Digital Technology Co., Ltd. or its affiliates (hereinafter referred to as "Hikvision") makes no warranties, express or implied.

Please use the Document with the guidance and assistance of professionals trained in supporting the Product.

### About this Product

This product can only enjoy the after-sales service support in the country or region where the purchase is made.

### Acknowledgment of Intellectual Property Rights

Hikvision owns the copyrights and/or patents related to the technology embodied in the Products described in this Document, which may include licenses obtained from third parties.

Any part of the Document, including text, pictures, graphics, etc., belongs to Hikvision. No part of this Document may be excerpted, copied, translated, or modified in whole or in part by any means without written permission.

HIKVISION and other Hikvision's trademarks and logos are the properties of Hikvision in various jurisdictions.

Other trademarks and logos mentioned are the properties of their respective owners.

### LEGAL DISCLAIMER

TO THE MAXIMUM EXTENT PERMITTED BY APPLICABLE LAW, THIS DOCUMENT AND THE PRODUCT DESCRIBED, WITH ITS HARDWARE, SOFTWARE AND FIRMWARE, ARE PROVIDED "AS IS" AND "WITH ALL FAULTS AND ERRORS". HIKVISION MAKES NO WARRANTIES, EXPRESS OR IMPLIED, INCLUDING WITHOUT LIMITATION, MERCHANTABILITY, SATISFACTORY QUALITY, OR FITNESS FOR A PARTICULAR PURPOSE. THE USE OF THE PRODUCT BY YOU IS AT YOUR OWN RISK. IN NO EVENT WILL HIKVISION BE LIABLE TO YOU FOR ANY SPECIAL, CONSEQUENTIAL, INCIDENTAL, OR INDIRECT DAMAGES, INCLUDING, AMONG OTHERS, DAMAGES FOR LOSS OF BUSINESS PROFITS, BUSINESS INTERRUPTION, OR LOSS OF DATA, CORRUPTION OF SYSTEMS, OR LOSS OF DOCUMENTATION, WHETHER BASED ON BREACH OF CONTRACT, TORT (INCLUDING NEGLIGENCE), PRODUCT LIABILITY, OR OTHERWISE, IN CONNECTION WITH THE USE OF THE PRODUCT, EVEN IF HIKVISION HAS BEEN ADVISED OF THE POSSIBILITY OF SUCH DAMAGES OR LOSS.

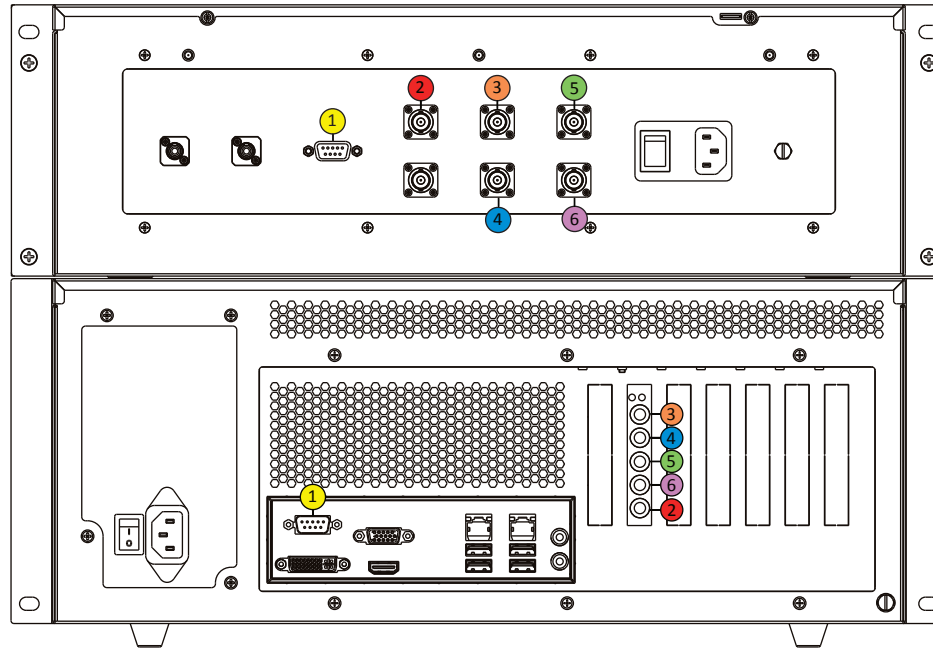
YOU ACKNOWLEDGE THAT THE NATURE OF THE INTERNET PROVIDES FOR INHERENT SECURITY RISKS, AND HIKVISION SHALL NOT TAKE ANY RESPONSIBILITIES FOR ABNORMAL OPERATION, PRIVACY LEAKAGE OR OTHER DAMAGES RESULTING FROM CYBER-ATTACK, HACKER ATTACK, VIRUS INFECTION, OR OTHER INTERNET SECURITY RISKS; HOWEVER, HIKVISION WILL PROVIDE TIMELY TECHNICAL SUPPORT IF REQUIRED.

YOU AGREE TO USE THIS PRODUCT IN COMPLIANCE WITH ALL APPLICABLE LAWS, AND YOU ARE SOLELY RESPONSIBLE FOR ENSURING THAT YOUR USE CONFORMS TO THE APPLICABLE LAW. ESPECIALLY, YOU ARE RESPONSIBLE, FOR USING THIS PRODUCT IN A MANNER THAT DOES NOT INFRINGE ON THE RIGHTS OF THIRD PARTIES, INCLUDING WITHOUT LIMITATION, RIGHTS OF PUBLICITY, INTELLECTUAL PROPERTY RIGHTS, OR DATA PROTECTION AND OTHER PRIVACY RIGHTS. YOU SHALL NOT USE THIS PRODUCT FOR ANY PROHIBITED END-USES, INCLUDING THE DEVELOPMENT OR PRODUCTION OF WEAPONS OF MASS DESTRUCTION, THE DEVELOPMENT OR PRODUCTION OF CHEMICAL OR BIOLOGICAL WEAPONS, ANY ACTIVITIES IN THE CONTEXT RELATED TO ANY NUCLEAR EXPLOSIVE OR UNSAFE NUCLEAR FUEL-CYCLE, OR IN SUPPORT OF HUMAN RIGHTS ABUSES.

IN THE EVENT OF ANY CONFLICTS BETWEEN THIS DOCUMENT AND THE APPLICABLE LAW, THE LATTER PREVAILS.

© Hangzhou Hikvision Digital Technology Co., Ltd. All rights reserved.

The processor needs to be used together with the server, and the connection method is shown in the right figure:



### 3 Power On

- 1、 Connect the server to the processor.
- 2、 Connect the server to the display screen, keyboard, and mouse.
- 3、 Connect the power cables of the server and processor separately, turn on the power switch, and the device will automatically turn on.
- 4、 The default administrator username for the server is root and the password is hik12345. The password must be changed when starting up for the first time, and the server defaults to the login command line interface. To enter the graphical interface, you can enter 'systemctl set default graphical.target' and restart, or let the installation personnel operate it.
- 5、 After entering the graphical interface, the local client can be opened for debugging.

For more instructions, please refer to the user manual.



### Specification

Positioning Vibration Fiber Sensing Processor		
Basic Parameter	Sensing Principle	Distributed Acoustic Sensing
	Fiber Type	SM Single mode (ITU-T G.652D)
	Channel	2
	Single-Channel Detection Range	50 km
	Positioning Accuracy	±5 m
	Frequency Response	0.1 Hz to 1 kHz
	Unit	Configurable. Configure according to fiber length and unit interval
Function	Alarm Response Time	≤ 1 s
	LED Indicator	Power indicator, tamper indicator
	Buzzer	Stay buzzing for tampering alarm
Interface	Switch	Rocker switch for power
	Fiber Interface	2 FC/APC fiber interfaces
	Power Interface	1 power input interface with 100 to 240 VAC power input
General	Function interface	1 RS-232 interface, 6 BNC interfaces
	Power	100 to 240 VAC, 50/60 Hz, 1.8 A
	Color	Black
	Power Consumption	<60 W
	Laser Classification	Class 1
	Material	Metal
	Operating Temperature	-15 °C to 55 °C (5 °F to 131 °F)
	Operating Humidity	0% to 93% (± 2%)
Dimension	141 mm × 483 mm × 498mm (5.6" × 19" × 19.6")	
Package Dimension	125mm × 600 mm × 620 mm (4.92"× 23.62" × 24.41")	
Weight	Approx. 10 kg (22.05 lb.)	

These clauses apply only to the products bearing the corresponding mark or information.


#### EU/UK Compliance Statement


**CE** This product and - if applicable - the supplied accessories too are marked with "CE" and comply therefore with the applicable harmonized European standards listed under the Directive 2014/30/EU (EMCD) and Directive 2011/65/EU (RoHS).

Note: The products with the input voltage of within 50 to 1000 VAC or 75 to 1500 VDC comply with Directive 2014/35/EU (LVD), and the rest products comply with Directive 2001/95/EC (GPSD). Please check the specific power supply information for reference. The full text of the EU declaration of conformity is available at the following internet address: <https://www.hikvision.com/en/support/compliance/declaration-of-conformity>.

**UK CA** This product and - if applicable - the supplied accessories too are marked with "UKCA" and comply therefore with the following directives: Electromagnetic Compatibility Regulations 2016, Electrical Equipment (Safety) Regulations 2016, the Restriction of the Use of Certain Hazardous Substances in Electrical and Electronic Equipment Regulations 2012.

 Directive 2012/19/EU (WEEE Directive): Products marked with this symbol cannot be disposed of as unsorted municipal waste in the European Union. For proper recycling, return this product to your local supplier upon the purchase of equivalent new equipment, or dispose of it at designated collection points. For more information see: [www.recyclethis.info](http://www.recyclethis.info).

 According to the Waste Electrical and Electronic Equipment Regulations 2013: Products marked with this symbol cannot be disposed of as unsorted municipal waste in the United Kingdom. For proper recycling, return this product to your local supplier upon the purchase of equivalent new equipment, or dispose of it at designated collection points. For more information see: [www.recyclethis.info](http://www.recyclethis.info).

 Directive 2006/66/EC and its amendment 2013/56/EU (Battery Directive): This product contains a battery that cannot be disposed of as unsorted municipal waste in the European Union. See the product documentation for specific battery information. The

battery is marked with this symbol, which may include lettering to indicate cadmium (Cd), lead (Pb), or mercury (Hg). For proper recycling, return the battery to your supplier or to a designated collection point. For more information see: [www.recyclethis.info](http://www.recyclethis.info). According to the Batteries and Accumulators (Placing on the Market)

Regulations 2008 and the Waste Batteries and Accumulators Regulations 2009: This product contains a battery that cannot be disposed of as unsorted municipal waste in the United Kingdom. See the product documentation for specific battery information. The battery is marked with this symbol, which may include lettering to indicate cadmium (Cd), lead (Pb), or mercury (Hg). For proper recycling, return the battery to your supplier or to a designated collection point. For more information see: [www.recyclethis.info](http://www.recyclethis.info).

#### Industry Canada ICES-003 Compliance

This device meets the CAN ICES-003 (B) / NMB-003 (B) standards requirements.

#### Conformité Industrie Canada ICES-003

Cette appareil répond aux exigences des normes CAN ICES-003 (B) / NMB-003 (B).

#### KC

B급 기기: 이 기기는 가정용(B급) 전자파적합기기로서 주로 가정에서 사용하는 것을 목적으로 하며, 모든 지역에서 사용할 수 있습니다.